

[www.wackergroup.com](http://www.wackergroup.com)

0155940en	006
0207	

## **Vibroplate**

# **WP 1550**

# **WP 1550 W**

**OPERATOR'S MANUAL**



0 1 5 5 9 4 0 E N



<b>1. Foreword</b>	<b>3</b>
<b>2. Safety Information</b>	<b>4</b>
2.1 Laws Pertaining to Spark Arresters .....	5
2.2 Operating Safety .....	6
2.3 Operator Safety while using Internal Combustion Engines .....	7
2.4 Service Safety .....	8
2.5 Label Locations .....	9
2.6 Warning and Informational Labels .....	10
2.7 Operating Labels .....	12
<b>3. Technical Data</b>	<b>14</b>
3.1 Engine Data .....	14
3.2 Plate Data .....	15
3.3 Sound and Vibration Specifications .....	15
3.4 Dimensions .....	16
<b>4. Operation</b>	<b>17</b>
4.1 Recommended Fuel .....	17
4.2 Before Starting .....	17
4.3 To Start .....	18
4.4 To Stop .....	18
4.5 Application .....	19
4.6 Operation .....	20
4.7 Wheel Kit (0162986) .....	21

<b>5. Maintenance</b>	<b>22</b>
5.1 Periodic Maintenance Schedule .....	22
5.2 Cleaning Plate .....	22
5.3 Drive Belt .....	23
5.4 Exciter Lubrication .....	24
5.5 Spark Plug .....	25
5.6 Engine Oil .....	26
5.7 Air Cleaner .....	27
5.8 Cleaning Fuel Strainer .....	28
5.9 Troubleshooting .....	29
5.10 Storage .....	29
5.11 Lifting Machine .....	30
5.12 Transporting Machine .....	31

## CALIFORNIA

### Proposition 65 Warning:



Engine exhaust, some of its constituents, and certain vehicle components, contain or emit chemicals known to the State of California to cause cancer and birth defects or other reproductive harm.

## 1. Foreword

This manual provides information and procedures to safely operate and maintain this Wacker model. For your own safety and protection from injury, carefully read, understand and observe the safety instructions described in this manual.

Keep this manual or a copy of it with the machine. If you lose this manual or need an additional copy, please contact Wacker Corporation. This machine is built with user safety in mind; however, it can present hazards if improperly operated and serviced. Follow operating instructions carefully! If you have questions about operating or servicing this equipment, please contact Wacker Corporation.

The information contained in this manual was based on machines in production at the time of publication. Wacker Corporation reserves the right to change any portion of this information without notice.

All rights, especially copying and distribution rights, are reserved.

Copyright 2007 by Wacker Corporation.

No part of this publication may be reproduced in any form or by any means, electronic or mechanical, including photocopying, without express written permission from Wacker Corporation.

Any type of reproduction or distribution not authorized by Wacker Corporation represents an infringement of valid copyrights and will be prosecuted. We expressly reserve the right to make technical modifications, even without due notice, which aim at improving our machines or their safety standards.

## 2. Safety Information

This manual contains DANGER, WARNING, CAUTION, *NOTICE* and NOTE callouts which must be followed to reduce the possibility of personal injury, damage to the equipment, or improper service.



This is the safety alert symbol. It is used to alert you to potential personal injury hazards. Obey all safety messages that follow this symbol to avoid possible injury or death.



**DANGER**

DANGER indicates a hazardous situation which, if not avoided, will result in death or serious injury.



**WARNING**

WARNING indicates a hazardous situation which, if not avoided, could result in death or serious injury.



**CAUTION**

CAUTION indicates a hazardous situation which, if not avoided, could result in minor or moderate injury.

**NOTICE:** Used without the safety alert symbol, **NOTICE** indicates a hazardous situation which, if not avoided, could result in property damage.

**Note:** *Contains additional information important to a procedure.*

## 2.1 Laws Pertaining to Spark Arresters

**Notice:** State Health Safety Codes and Public Resources Codes specify that in certain locations spark arresters be used on internal combustion engines that use hydrocarbon fuels. A spark arrester is a device designed to prevent accidental discharge of sparks or flames from the engine exhaust. Spark arresters are qualified and rated by the United States Forest Service for this purpose.

In order to comply with local laws regarding spark arresters, consult the engine distributor or the local Health and Safety Administrator.

## 2.2 Operating Safety



Familiarity and proper training are required for the safe operation of the machine. Machines operated improperly or by untrained personnel can be dangerous. Read the operating instructions contained in both this manual and the Engine Manual and familiarize yourself with the location and proper use of all controls. Inexperienced operators should receive instruction from someone familiar with the machine before being allowed to operate it.

- 2.2.1 NEVER allow anyone to operate this equipment without proper training. People operating this equipment must be familiar with the risks and hazards associated with it.
- 2.2.2 NEVER touch the engine or muffler while the engine is on or immediately after it has been turned off. These areas get hot and may cause burns.
- 2.2.3 NEVER use accessories or attachments that are not recommended by Wacker. Damage to equipment and injury to the user may result.
- 2.2.4 NEVER operate the machine with the beltguard missing. Exposed drive belt and pulleys create potentially dangerous hazards that can cause serious injuries.
- 2.2.5 NEVER leave the machine running unattended.
- 2.2.6 ALWAYS be sure operator is familiar with proper safety precautions and operation techniques before using machine.
- 2.2.7 ALWAYS wear protective clothing appropriate to the job site when operating the machine.
- 2.2.8 ALWAYS wear hearing protection when operating equipment.
- 2.2.9 ALWAYS close fuel valve on engines equipped with one when machine is not being operated.
- 2.2.10 ALWAYS store the machine properly when it is not being used. The machine should be stored in a clean, dry location out of the reach of children.
- 2.2.11 ALWAYS operate machine with all safety devices and guards in place and in working order. DO NOT modify or defeat safety devices. DO NOT operate machine if any safety devices or guards are missing or inoperative.
- 2.2.12 ALWAYS read, understand, and follow procedures in the Operator's Manual before attempting to operate the machine.



## 2.3 Operator Safety while using Internal Combustion Engines



**DANGER**

Internal combustion engines present special hazards during operation and fueling. Read and follow the warning instructions in the engine Owner's Manual and the safety guidelines below. Failure to follow the warnings and safety standards could result in severe injury or death.

- 2.3.1 DO NOT run the machine indoors or in an enclosed area such as a deep trench unless adequate ventilation, through such items as exhaust fans or hoses, is provided. Exhaust gas from the engine contains poisonous carbon monoxide gas; exposure to carbon monoxide can cause loss of consciousness and may lead to death.
- 2.3.2 DO NOT smoke while operating the machine.
- 2.3.3 DO NOT smoke when refueling the engine.
- 2.3.4 DO NOT refuel a hot or running engine.
- 2.3.5 DO NOT refuel the engine near an open flame.
- 2.3.6 DO NOT spill fuel when refueling the engine.
- 2.3.7 DO NOT run the engine near open flames.
- 2.3.8 ALWAYS refill the fuel tank in a well-ventilated area.
- 2.3.9 ALWAYS replace the fuel tank cap after refueling.
- 2.3.10 ALWAYS check the fuel lines and the fuel tank for leaks and cracks before starting the engine. Do not run the machine if fuel leaks are present or the fuel lines are loose.

## 2.4 Service Safety




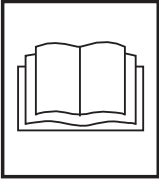
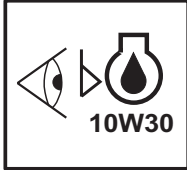
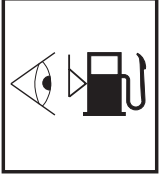


A poorly maintained machine can become a safety hazard! In order for the machine to operate safely and properly over a long period of time, periodic maintenance and occasional repairs are necessary.






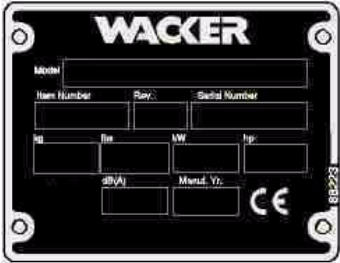
- 2.4.1 DO NOT attempt to clean or service the machine while it is running. Rotating parts can cause severe injury.
- 2.4.2 DO NOT crank a flooded engine with the spark plug removed on gasoline-powered engines. Fuel trapped in the cylinder will squirt out the spark plug opening.
- 2.4.3 DO NOT test for spark on gasoline-powered engines if the engine is flooded or the smell of gasoline is present. A stray spark could ignite the fumes.
- 2.4.4 DO NOT use gasoline or other types of fuels or flammable solvents to clean parts, especially in enclosed areas. Fumes from fuels and solvents can become explosive.
- 2.4.5 ALWAYS keep the area around the muffler free of debris such as leaves, paper, cartons, etc. A hot muffler could ignite the debris and start a fire.
- 2.4.6 ALWAYS replace worn or damaged components with spare parts designed and recommended by Wacker Corporation.
- 2.4.7 ALWAYS disconnect the spark plug on machines equipped with gasoline engines, before servicing, to avoid accidental start-up.
- 2.4.8 ALWAYS keep the machine clean and labels legible. Replace all missing and hard-to-read labels. Labels provide important operating instructions and warn of dangers and hazards.




2.6 Warning and Informational Labels

Wacker machines use international pictorial labels where needed. These labels are described below:

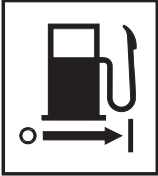
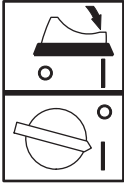
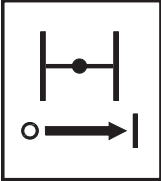
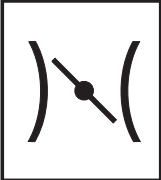
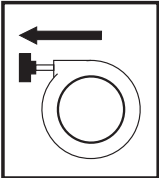
Label	Meaning
	<p><b>WARNING!</b> To prevent hearing loss, wear hearing protection when operating the machine.</p>
	<p>Read the operator's manual for machine information.</p>
	<p>Check engine oil level. Use SAE10W30.</p>
	<p>Check the fuel level.</p>
	<p><b>WARNING!</b> Hot surface!</p>
	<p>Guaranteed sound power level in dB(A).</p>

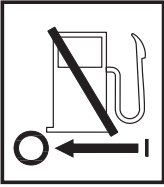
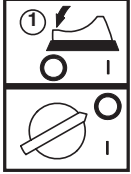
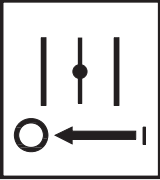
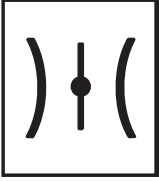

Label	Meaning
	<p><b>WARNING!</b> Hand injury if caught in moving belt. Always replace beltguard.</p>
	<p><b>CAUTION!</b> Read and understand the supplied Operator's Manuals before operating this machine. Failure to do so increases the risk of injury to yourself or others.</p>
	<p><b>CAUTION!</b> Lifting point.</p>
	<p>Lifting point (manual).</p>
	<p><b>DANGER!</b> Engines emit carbon monoxide; operate only in well-ventilated area. Read the Operator's Manual. No sparks, flames, or burning objects near the machine. Shut off the engine before refueling.</p>
	<p>A nameplate listing the model number, item number, revision number, and serial number is attached to each unit. Please record the information found on this plate so it will be available should the nameplate become lost or damaged. When ordering parts or requesting service information, you will always be asked to specify the model number, item number, revision number, and serial number of the unit.</p>

Label	Meaning
	This machine may be covered by one or more patents.

## 2.7 Operating Labels

Wacker machines use international pictorial labels where needed. These labels are described below:

Label	Meaning
	Open the fuel flow valve.
	Push or turn engine switch to ON position.
	Close the choke.
	Place throttle in the IDLE position.
	Pull the rewind starter.

Label	Meaning
	<p>Close the fuel flow valve.</p>
	<p>Push or turn engine switch to OFF position.</p>
	<p>Open the choke.</p>
	<p>Place throttle in the FAST position.</p>
	<p>Throttle control lever: Turtle = Idle or Slow Rabbit = Full or Fast</p>

**3. Technical Data**

**3.1 Engine Data**

		<b>WP 1550, WP 1550 W</b> 0009325, 0009324, 0009548
<b>Engine</b>		
Engine Make		Wacker
Engine Model		WM170
Rated Power	kW (Hp)	4.5 (6.0)
Engine Speed - full	rpm	3600 ± 50
Engine Speed - idle	rpm	1400 ± 100
Clutch Engagement	rpm	2100
Spark Plug	type	NGK BR6HS, Champion RL86C
Electrode Gap	mm (in)	0.6–0.7 (0.024–0.028)
Air Cleaner	type	Dual Element
Engine Lubrication	oil grade	SAE 10W30
	service class	SE or higher
Engine Oil Capacity	ml (oz.)	600 (20)
Fuel	type	Regular unleaded gasoline
Fuel Tank Capacity	l (qts.)	3.6 (3.8)
Valve Clearance (cold)	mm (in.)	
Inlet:		0.07–0.13 (0.003–0.005)
Outlet:		0.17–0.23 (0.007–0.009)



3.2 Plate Data

		<b>WP 1550, WP 1550 W</b> 0009325, 0009324, 0009548
<b>Plate</b>		
Operating Weight	kg (lbs.)	88 (194)
Water Tank Capacity	l (qts.)	10.4 (11.0)
Exciter Speed	rpm / belt	5800 ± 100
Exciter Lubrication	ml (oz.)	150 (5) Automatic Transmission Fluid Dextron III / Mercon or equivalent

3.3 Sound and Vibration Specifications

Products are tested for sound pressure level in accordance with EN ISO 11204. Sound power level is tested in accordance with European Directive 2000/14/EC - Noise Emission in the Environment by Equipment for use outdoors.

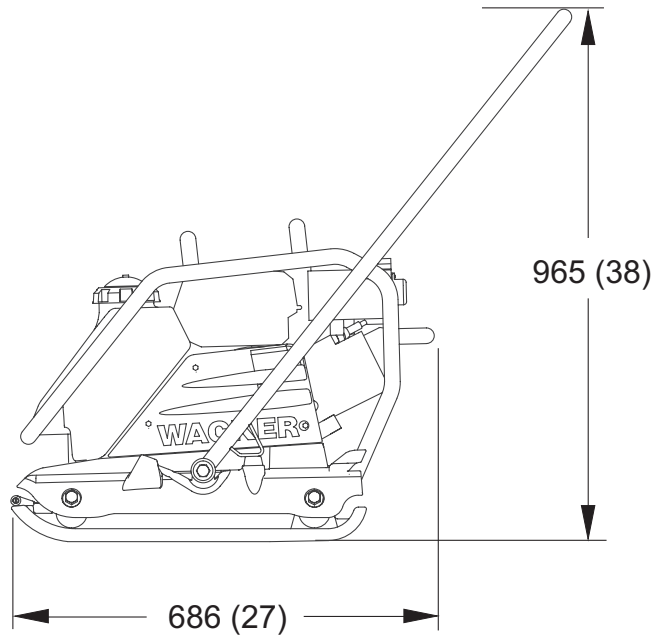
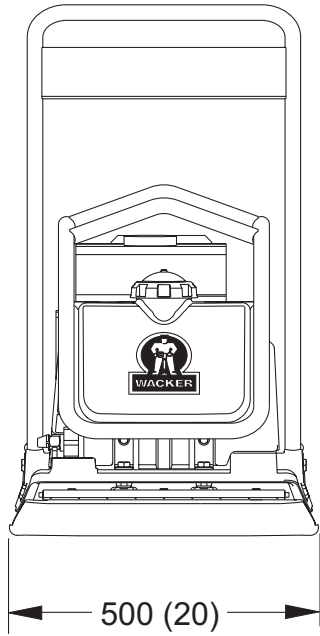
- The sound pressure level at operator’s location ( $L_{pA}$ ) = 97 dB(A).
- The guaranteed sound power level ( $L_{WA}$ ) = 108 dB(A).

Products are tested for hand/arm vibration (HAV) level in accordance with ISO 5349, EN1033, and EN500-4 where applicable.

- HAV 10.8 m/s<sup>2</sup>

3.4 Dimensions

mm (in.)



wc\_gr000081

## **4. Operation**

### **4.1 Recommended Fuel**

The engine requires regular grade unleaded gasoline. Use only fresh, clean gasoline. Gasoline containing water or dirt will damage fuel system. Consult engine Owner's Manual for complete fuel specifications.

### **4.2 Before Starting**

4.2.1 Read and understand the safety and operating instructions at the beginning of this manual.

4.2.2 Check:

- Oil level in the engine
- Fuel level
- Condition of the air cleaner
- Tightness of the external fasteners
- Condition of the fuel lines

### 4.3 To Start

See Graphic: wc\_gr000655

- 4.3.1 Open fuel valve by moving lever down (**a1**).

**Note:** If engine is cold, move choke lever to close position (**d2**). If engine is hot, set choke to open position (**d1**).

- 4.3.2 Turn engine switch to “ON” (**b2**).

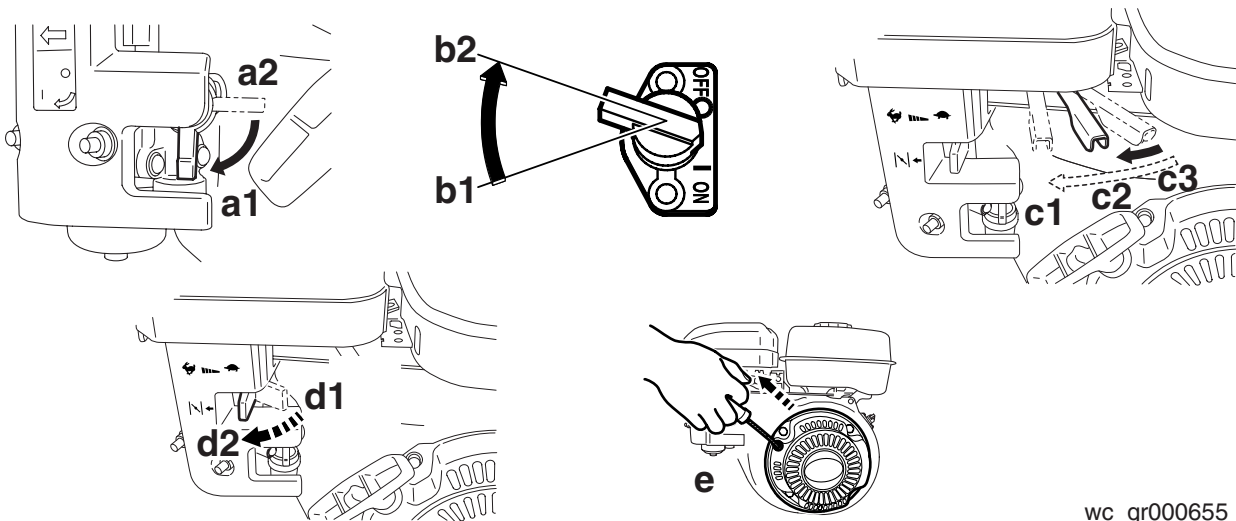
- 4.3.3 Open throttle by moving it slightly to left (**c2**).

- 4.3.4 Pull starter rope (**e**).

**Note:** If the oil level in the engine is low, the engine will not start. If this happens, add oil to engine.

- 4.3.5 Open choke as engine warms (**d1**).

- 4.3.6 Open throttle fully to operate (**c1**).



wc\_gr000655

### 4.4 To Stop

See Graphic: wc\_gr000655

- 4.4.1 Reduce engine RPM to idle by moving throttle completely to right (**c3**).

- 4.4.2 Turn engine switch to “OFF” (**b1**).

- 4.4.3 Close fuel valve (**a2**).

## **4.5 Application**

This plate is designed for compacting loose, granular soils, gravel, and paving stones. It is intended to be used in confined areas and areas next to structures such as walls, curbs, and foundations. Plates equipped with water tanks can be used for compacting asphalt.

This plate is not recommended for compacting cohesive soils with a heavy clay content. For cohesive soil, use a vibratory rammer or sheepsfoot roller.

## 4.6 Operation

See Graphic: wc\_gr000076

Run engine at full throttle and allow plate to pull itself along at its normal speed. When operating on an incline it may be necessary to assist plate by pushing it forward slightly. Depending on the material being compacted, three or four passes are recommended to achieve the best compaction.

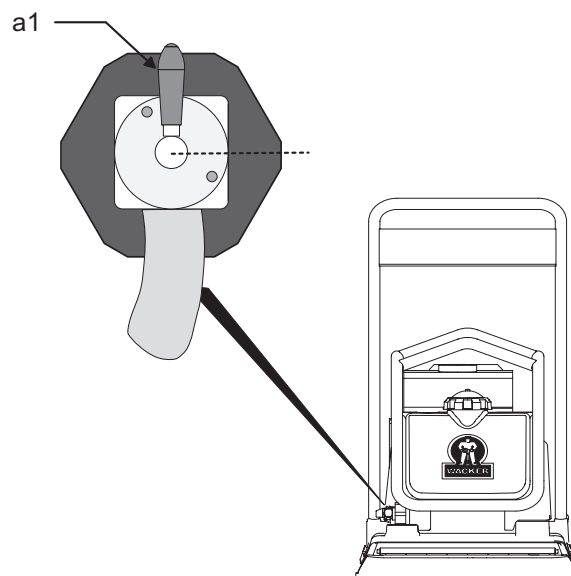
While a certain amount of moisture in the soil is necessary, excessive moisture may cause soil particles to stick together and prevent good compaction. If soil is extremely wet, allow it to dry somewhat before compacting.

If soil is so dry as to create dust clouds while operating plate, some moisture should be added to the ground material to improve compaction. This will also reduce service to the air filter.

For compacting asphalt, open water tank valve (**a1**) to wet asphalt and underside of plate. This will prevent asphalt material from sticking. Two or three passes are usually sufficient to ensure good compaction.

When using plate on paving stones, attach a pad to the bottom of the plate to prevent chipping or grinding surface of the stones. A special urethane pad designed for this purpose is available as an optional accessory.

**NOTICE:** DO NOT operate plate on concrete or on extremely hard, dry, compacted surfaces. The plate will jump rather than vibrate and could damage both plate and engine.



wc\_gr000076

## 4.7 Wheel Kit (0162986)

See Graphic: *wc\_gr002793*

Wheel kit (Part No. 0162986) is a standard item on Item Number 0009545, 0009546, 0009547 and 0009548 only. Available as an option on all other models.

4.7.1 Disengage wheel kit from holding latch **(a)** and position wheels in “down” position.

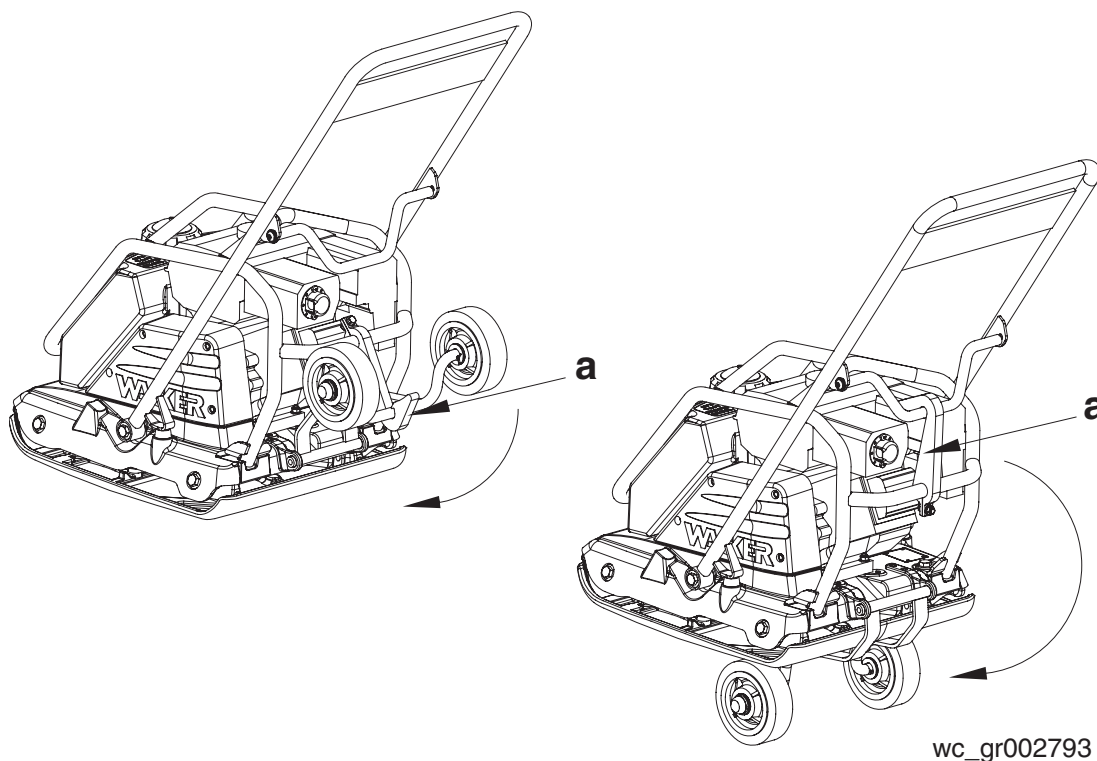
4.7.2 Pivot holding latch and engage cross member brace into latch.

**NOTICE:** Latch prevents vibroplate from pivoting and falling back towards the operator.

4.7.3 Push forward on guide handle to tip vibroplate forward and pivot wheels into the “down” position.

4.7.4 Pull back on guide handle to tip vibroplate back up on wheels to transport.

**NOTICE:** DO NOT lift the vibroplate by its guide handle. The vibroplate can shift, causing it to fall.



5. Maintenance

5.1 Periodic Maintenance Schedule

The chart below lists basic engine maintenance. Refer to the engine manufacturer’s Operation Manual for additional information on engine maintenance.

	Daily before starting	After first 20 hrs.	Every 2 weeks or 50 hrs.	Every month or 100 hrs.	Every year or 300 hrs.
Check fuel level.	■				
Check engine oil level.	■				
Inspect fuel lines.	■				
Inspect air filter. Replace as needed.	■				
Check external hardware.	■				
Check and adjust drive belt.		■	■		
Clean air cleaner elements.			■		
Inspect shockmounts for damage.			■		
Change engine oil.		■		■	
Clean engine cooling fins.				■	
Clean sediment cup / fuel filter.				■	
Check and clean spark plug.				■	
Check and adjust valve clearance.					■
Change exciter oil.					■

5.2 Cleaning Plate

Clean plate after use to remove dirt, stones, and mud caught under the engine console. If plate is being used in a dusty area, check engine cylinder cooling fins for heavy dirt accumulation. Keep engine cylinder fins clean to prevent engine from overheating.



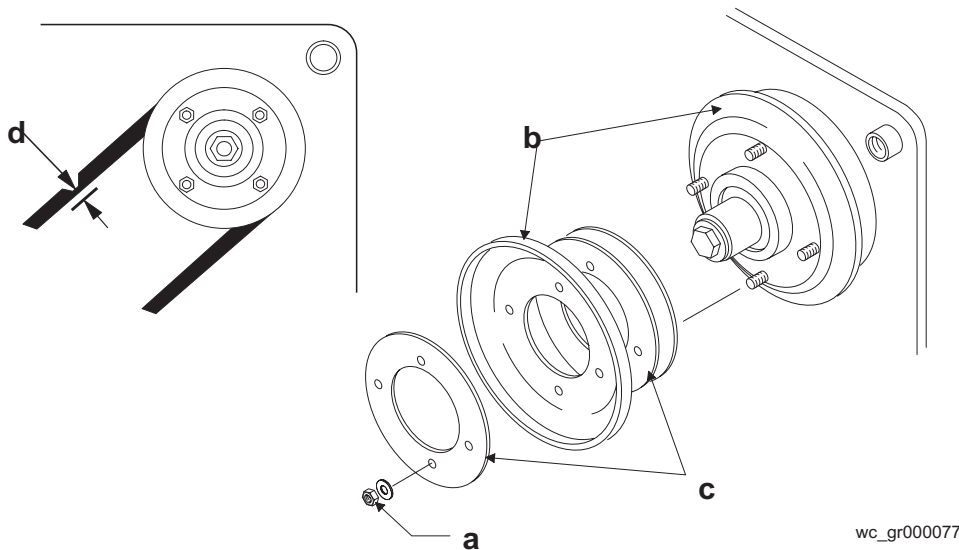
### 5.3 Drive Belt

See Graphic: *wc\_gr000077*

On new machines or after installing a new belt, check belt tension after first 20 hours of operation. Check and adjust belt every 50 hours thereafter.

To change the belt:

- 5.3.1 Remove the beltguard and remove the four hex nuts (**a**) holding pulley halves (**b**) together. Remove outer pulley half and remove belt.
- 5.3.2 Install new belt on pulley and secure pulley halves together with hex nuts. Adjust tension on belt by adding or removing spacers (**c**) between pulley halves. The fewer spacers used between pulley halves, the tighter the belt will be. Three spacers with new Wacker belts should provide the correct tension. Belt deflection should be 6–10 mm, checked half way between the clutch pulley and the exciter pulley (**d**). Place unused spacers on outside of pulley.
- 5.3.3 Replace beltguard.



wc\_gr000077

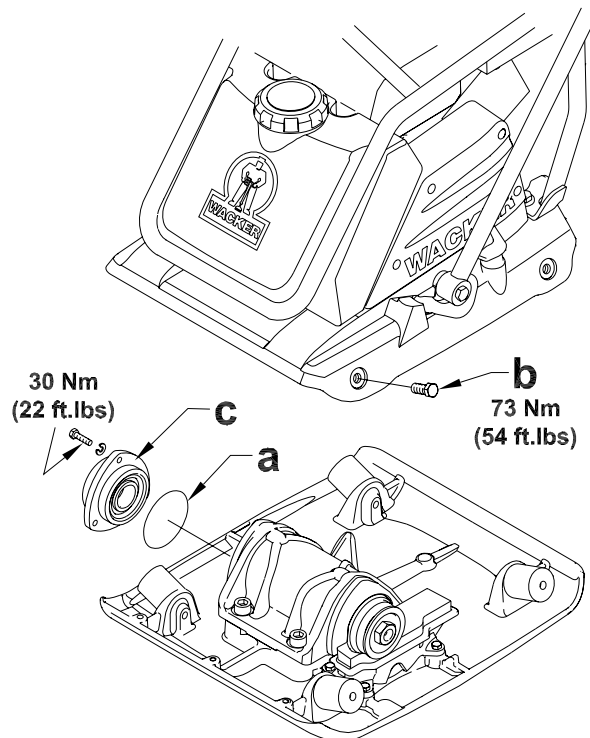
## 5.4 Exciter Lubrication

See Graphic: *wc\_gr000078*

The exciter assembly is a self-contained, sealed unit. The bearings are lubricated using automatic transmission fluid (see *Technical Data* for type). Change fluid once every year or 300 hours of operation. When changing fluid, replace O-ring **(a)**.

To change fluid:

- 5.4.1 Remove beltguard, belt, and hose from water tank.
- 5.4.2 Remove four screws **(b)** securing console assembly to baseplate and lift console assembly from baseplate.
- 5.4.3 Remove end cover **(c)** from bearing exciter assembly. Outer bearing race will remain with cover.
- 5.4.4 Tip baseplate up and drain fluid from exciter assembly. Dispose of used fluid in an appropriate manner. Contact local recycling center.
- 5.4.5 Add 150 ml of automatic transmission fluid to exciter housing and fasten end cover to exciter. Do not overfill exciter or bearings may overheat.
- 5.4.6 Assemble console assembly to baseplate and install belt, beltguard, and hose to water tank.



wc\_gr000078

## 5.5 Spark Plug

See Graphic: *wc\_gr000028*

Clean or replace the spark plug as needed to ensure proper operation. Refer to your engine operator's manual.



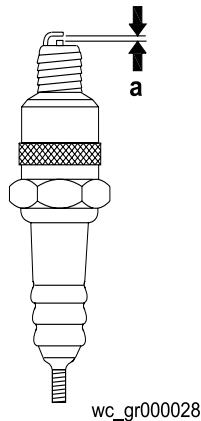
**WARNING**

The muffler becomes very hot during operation and remains hot for a while after stopping the engine. Do not touch the muffler while it is hot.

**Note:** Refer to the Technical Data for the recommended spark plug type and the electrode gap setting.

- 5.5.1 Remove the spark plug and inspect it.
- 5.5.2 Replace the spark plug if the insulator is cracked or chipped.
- 5.5.3 Clean the spark plug electrodes with a wire brush.
- 5.5.4 Set the electrode gap (**a**).
- 5.5.5 Tighten the spark plug securely.

**NOTICE:** A loose spark plug can become very hot and may cause engine damage.



## 5.6 Engine Oil

See Graphic: wc\_gr000087

5.6.1 Drain oil while engine is still warm.

**Note:** *In the interests of environmental protection, place a plastic sheet and a container under the machine to collect any liquid which drains off. Dispose of this liquid in accordance with environmental protection legislation.*

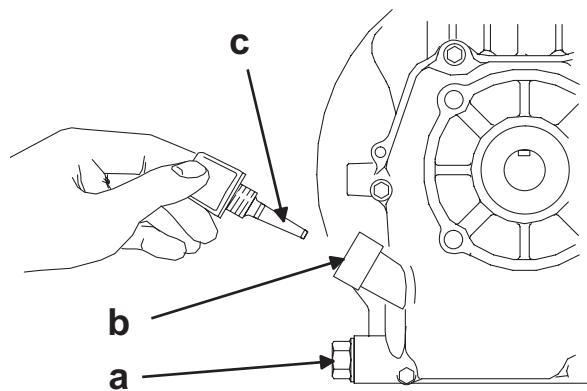
5.6.2 Remove the oil drain plug **(a)**.

5.6.3 Allow the oil to drain.

5.6.4 Install the drain plug.

5.6.5 Fill the engine crankcase through the oil filler opening **(b)**, to the upper mark on the dipstick **(c)**. Do not thread in the dipstick to check the level. See *Technical Data* for oil quantity and type.

5.6.6 When the crankcase is full, reinstall the dipstick.



wc\_gr000087

## 5.7 Air Cleaner

See Graphic: *wc\_gr000656*



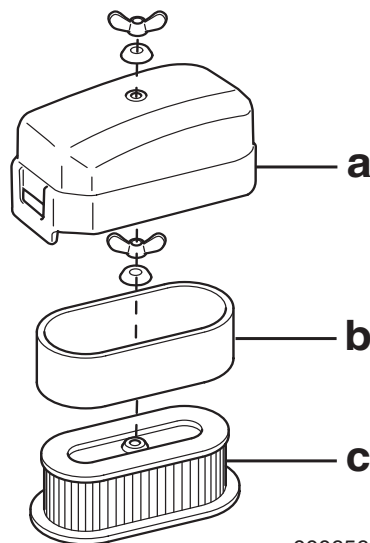
**WARNING**

NEVER use gasoline or other types of low-flash point solvents for cleaning the air cleaner. A fire or explosion could result.

**NOTICE:** NEVER run the engine without the air cleaner. Severe engine damage will occur.

The engine is equipped with a dual-element air cleaner. Under normal operating conditions, the elements should be cleaned once every week. Under severe, dry and dusty conditions, the elements should be maintained daily. Replace an element when it is saturated with dirt that cannot be removed.

- 5.7.1 Remove the air cleaner cover **(a)**. Remove the filter assembly by pulling it straight up. Inspect both elements for holes or tears. Replace damaged elements.
- 5.7.2 Wash the foam element **(b)** in a solution of mild detergent and warm water. Rinse it thoroughly in clean water. Allow the element to dry thoroughly.
- 5.7.3 Tap the paper element **(c)** lightly to remove excess dirt or blow compressed air through the filter from the inside out. Replace the paper element if it appears heavily soiled.

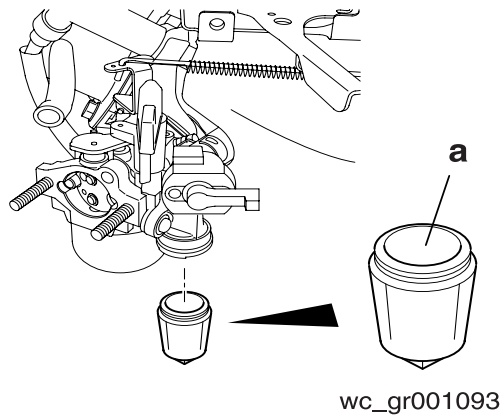


*wc\_gr000656*

## 5.8 Cleaning Fuel Strainer

See Graphic: *wc\_gr001093*

- 5.8.1 To remove water and dirt, close the fuel lever and remove the fuel strainer.
- 5.8.2 Inspect the fuel strainer (**a**) for water and dirt.
- 5.8.3 After removing any dirt and water, wash the fuel cup with a nonflammable solvent.
- 5.8.4 Reinstall securely to prevent leakage.



## 5.9 Troubleshooting

Problem / Symptom	Reason / Remedy
Plate does not develop full speed. Poor compaction.	<ul style="list-style-type: none"> <li>• Engine throttle control not completely open.</li> <li>• Throttle control not adjusted correctly.</li> <li>• Ground too wet, plate sticking. Allow soil to dry before compacting.</li> <li>• Drive belt loose or worn, slipping on pulleys. Adjust or replace belt. Check that engine mounting bolts are tight.</li> <li>• Exciter bearings binding. Check condition and level of oil in exciter. Add or change oil.</li> <li>• Air filter clogged with dust, reducing engine performance. Clean or replace air filter.</li> <li>• Engine speed too low. Check engine speed with tachometer. Adjust or repair engine to run at correct speed. Refer to engine manual.</li> </ul>
Engine running, no vibration	<ul style="list-style-type: none"> <li>• Engine throttle not open.</li> <li>• Drive belt loose or broken. Adjust or replace.</li> <li>• Clutch damaged. Inspect and replace clutch.</li> <li>• Engine speed too low. Check engine speed.</li> <li>• Too much oil in exciter. Adjust oil to correct level.</li> </ul>
Plate jumps or compacts unevenly.	<ul style="list-style-type: none"> <li>• Ground surface too hard.</li> <li>• Shockmounts loose or damaged.</li> </ul>

## 5.10 Storage

If plate is being stored for more than 30 days:

- 5.10.1 Remove loose stones and dirt from plate.
- 5.10.2 Clean engine cylinder cooling fins.
- 5.10.3 Clean or replace air filter.
- 5.10.4 Change exciter oil.
- 5.10.5 Change engine oil and follow procedures described in engine manual for engine storage.
- 5.10.6 Cover plate and engine and store in a clean, dry area.

## 5.11 Lifting Machine

See Graphic: *wc\_gr000113*

See *Technical Data* for the weight of the machine.

### To lift machine manually:

- 5.11.1 Stop the engine.
- 5.11.2 Obtain help from a partner and plan the lift.
- 5.11.3 Grasp the machine by its cage (a) and lifting slot (b).
- 5.11.4 Lift the machine as shown.



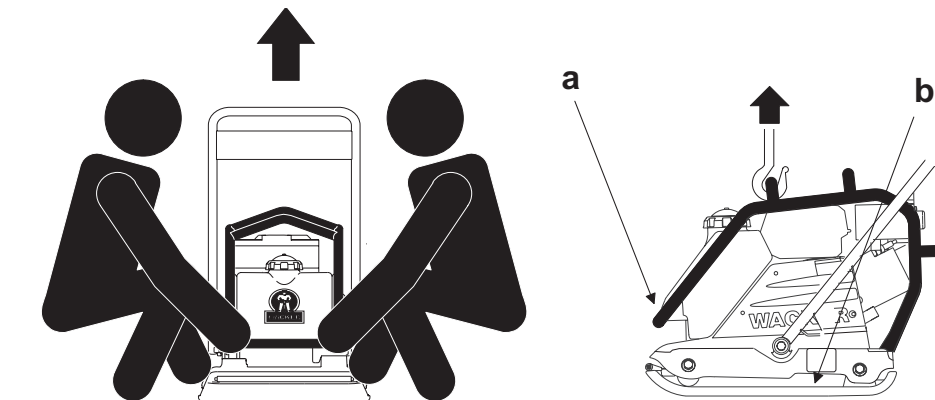
To reduce risk of back injury while lifting, keep your feet flat on ground and shoulder width apart. Keep your head up and back straight.

### WARNING To lift machine mechanically:

**NOTICE:** Before attempting to lift, be sure that all lifting devices can safely handle the weight of the machine. See *Technical Data* for the weight of the machine.

- 5.11.1 Attach hook, harness, or cable to the machine as shown and lift as desired.

**NOTICE:** DO NOT lift the vibroplate by its guide handle. The vibroplate can shift, causing it to fall.



wc\_gr000113



## 5.12 Transporting Machine

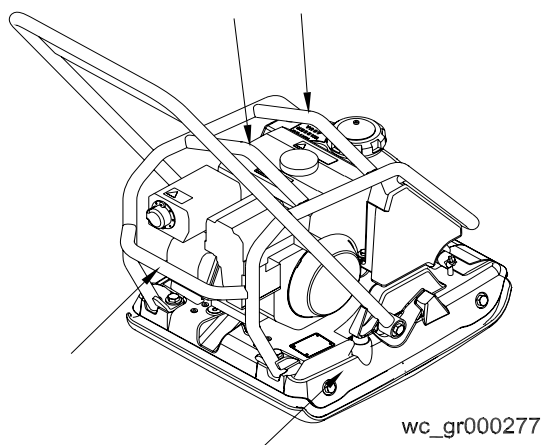
See Graphic: *wc\_gr000277*



**WARNING**

To avoid burns or fire hazards, let engine cool before transporting machine or storing indoors.

- 5.12.1 Turn fuel valve to the off position and keep the engine level to prevent fuel from spilling.
- 5.12.2 Tie down machine on vehicle to prevent machine from sliding or tipping over. Tie machine to vehicle at points shown on graphic.





**EC DECLARATION OF CONFORMITY  
EG-KONFORMITÄTSERKLÄRUNG  
CE-DECLARACIÓN DE CONFORMIDAD  
DÉCLARATION DE CONFORMITÉ DE LA CEE**

**WACKER MACHINERY PHILIPPINES, INC., DASMARIÑAS, CAVITE, PHILIPPINES**

AUTHORIZED REPRESENTATIVE IN THE EUROPEAN UNION BEVOLLMÄCHTIGTER VERTRETER FÜR DIE EUROPÄISCHE GEMEINSCHAFT REPRESENTANTE AUTORIZADO EN LA UNIÓN EUROPEA REPRÉSENTANT AGRÉÉ AUPRÈS DE L'UNION EUROPÉENNE	<b>WACKER CONSTRUCTION EQUIPMENT AG</b> <b>Preußenstraße 41</b> <b>80809 München</b>
---	--

hereby certifies that the construction equipment specified hereunder / bescheinigt, daß das Baugerät / certifica que la máquina de construcción / atteste que le matériel :

1. Category / Art / Categoría / Catégorie

**Vibratory Plates / Rüttelplatten  
Planchas Vibratorias / Plaques Vibrantes**

2. Type - Typ - Tipo - Type

**WP 1550A, WP 1550AW  
WP 1550, WP 1550W**

3. Item number of equipment / Artikelnummer / Número de referencia de la máquina / Numéro de référence du matériel :

**0007579, 0007576, 0009486, 0009325, 0009324, 0009546, 0009548**

4. Net installed power / absolute installierte Leistung / Potencia instalada neta / Puissance installée nette :

**WP 1550A, WP 1550AW 4,1kW  
WP 1550, WP 1550W 4,5kW**

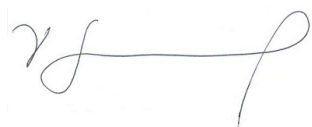
Has been sound tested per Directive 2000/14/EC / In Übereinstimmung mit Richtlinie 2000/14/EG bewertet worden ist / Ha sido ensayado en conformidad con la norma 2000/14/CE / A été mis à l'épreuve conforme aux dispositions de la directive 2000/14/CEE :

Conformity Assessment Procedure / Konformitätsbewertungsverfahren / Procedimiento para ensayar conformidad / Procédé pour l'épreuve de conformité	Name and address of notified body / Bei folgender einbezogener Prüfstelle / Oficina matriculadora / Organisme agréé	Measured sound power level / Gemessener Schallleistungspegel / Nivel de potencia acústica determinado / Niveau de puissance acoustique fixé	Guaranteed sound power level / Garantierter Schallleistungspegel / Nivel de potencia acústica garantizado / Niveau de puissance acoustique garanti
<b>Annex VI / Anhang VI / Anexo VI / Annexe VI</b>	<b>VDE-Prüf- und Zertifizierungsinstitut Zertifizierungsstelle Merianstraße 28 63069 Offenbach/Main</b>	<b>WP 1550A 104 dB(A) WP 1550AW 104 dB(A) WP 1550 104 dB(A) WP 1550W 104 dB(A)</b>	<b>WP 1550A 108 dB(A) WP 1550AW 108 dB(A) WP 1550 108 dB(A) WP 1550W 108 dB(A)</b>

and has been produced in accordance with the following standards / und in Übereinstimmung mit folgenden Richtlinien hergestellt worden ist / y ha sido fabricado en conformidad con las siguientes normas / et a été produit conforme aux dispositions des directives européennes ci-après :

**2000/14/EG  
98/37/EG  
89/336/EG  
EN 500-1  
EN 500-4**

**19.02.07**  
-----  
Date / Datum / Fecha / Date

  
-----  
Heinz Gengnagel  
President & CEO

**WACKER MACHINERY PHILIPPINES**

**WACKER MACHINERY PHILIPPINES, INC.**

4126 First Cavite, Industrial Estate (FCIE) Governor's Drive, Brgy. Langkaan  
Dasmariñas, Cavite, Philippines (Tel) +63 2 580 7110 (Fax) +63 2 580 7122

